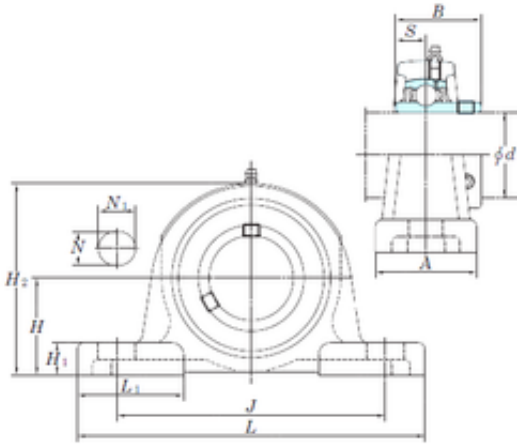




Wuxi Shenbing Bearing Company Limited

KOYO UCP212-39 bearing units

Bearing No. UCP212-39



UCP212-39 Bearing 2D drawings and 3D CAD models

Bore Diameter	61,9125 mm
Width	65,1 mm
d	61,9125 mm
A	70 mm
B	65,1 mm
H	69,8 mm
H1	22 mm
H2	138 mm
J	184 mm
L	241 mm
L1	76 mm
N	20 mm
N1	25 mm
S	25,4 mm
Bolt (G)	M16
Weight	4,9 Kg
Basic dynamic load rating (C)	52,4 kN
Basic static load rating (C0)	36,2 kN