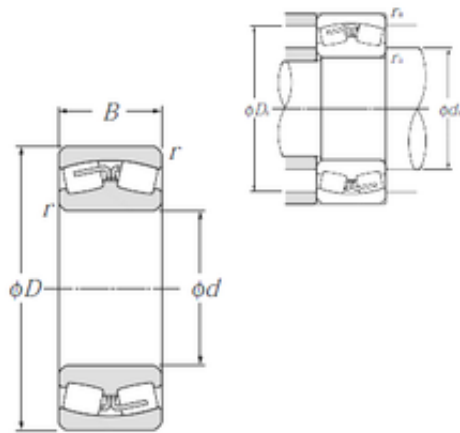




Wuxi Shenbing Bearing Company Limited

65 mm x 120 mm x 31 mm NTN LH-22213E spherical roller bearings



Bearing No. LH-22213E

LH-22213E Bearing 2D drawings and 3D CAD models

Size	65x120x31 mm
Bore Diameter	65 mm
Outer Diameter	120 mm
Width	31 mm
d	65 mm
D	120 mm
B	31 mm
C	31 mm
r min.	1,5 mm
da min.	73,5 mm
da max	78,5 mm
Da min	107 mm
Da max.	111,5 mm
ra max.	1,5 mm
Weight	1,43 Kg
Basic dynamic load rating (C)	177 kN
Basic static load rating (C0)	217 kN
(Grease) Lubrication Speed	3 800 r/min
(Oil) Lubrication Speed	5 000 r/min
Calculation factor (e)	0,25
Calculation factor (Y0)	2,65
Calculation factor (Y1)	2,71