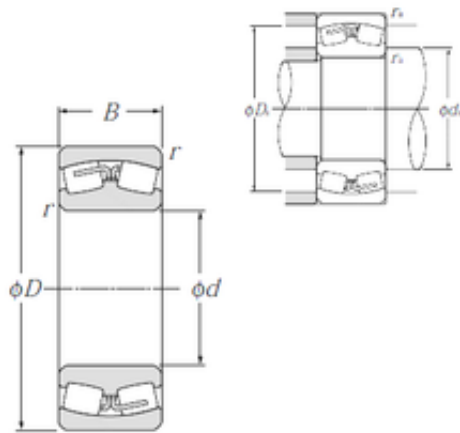




Wuxi Shenbing Bearing Company Limited



95 mm x 200 mm x 45 mm NTN 21319 spherical roller bearings

Bearing No. 21319

21319 Bearing 2D drawings and 3D CAD models

Size	95x200x45 mm
Bore Diameter	95 mm
Outer Diameter	200 mm
Width	45 mm
d	95 mm
D	200 mm
B	45 mm
C	45 mm
r min.	3 mm
da min.	109 mm
Da max.	186 mm
ra max.	2,5 mm
Weight	7,1 Kg
Basic dynamic load rating (C)	335 kN
Basic static load rating (C0)	420 kN
(Grease) Lubrication Speed	2 100 r/min
(Oil) Lubrication Speed	2 700 r/min
Calculation factor (e)	0,23
Calculation factor (Y0)	2,93
Calculation factor (Y1)	3
Category	Spherical Roller Bearings
Inventory	0.0
Manufacturer Name	NTN
Minimum Buy Quantity	N/A
Weight / Kilogram	7.12



Wuxi Shenbing Bearing Company Limited

EAN	4547359261042
Product Group	B04311
Internal Clearance	C0-Medium
Mounting Method	Shaft Mount
Rolling Element	Spherical Roller Bearing
Bore Profile	Straight
Cage Material	Bronze
Enclosure	Open
Number of Rows of Rollers	Double Row
Relubricatable	No
Withdrawal Sleeve	Not Applicable
Withdrawal Nut	Not Applicable
Inch - Metric	Metric
Long Description	95MM Straight Bore; 200MM Outside Diameter; 45MM Width; C0-Medium Clearance; Shaft Mount; Double Row of Spherical Roller Bearings; Bronze Cage Material; Open Enclosure; Not Relubricatable
Category	Spherical Roller Bearing
UNSPSC	31171510
Harmonized Tariff Code	84823080
Noun	Bearing
Keyword String	Spherical
Manufacturer URL	http://www.ntnamerica.com
Weight / LBS	15.691
Bore	3.74 Inch 95 Millimeter
Width	1.772 Inch 45 Millimeter
Adapter Part Number	Not Applicable Inch Not Applicable Millimeter
Outside Diameter	7.874 Inch 200 Millimeter



Wuxi Shenbing Bearing Company Limited

bore diameter:	95 mm
operating temperature range:	-40 to 120 ° C
outside diameter:	200 mm
cage material:	Brass
overall width:	45 mm
bearing material:	Through Hardened Steel
bore type:	Straight
cage type:	Machined
outer ring type:	Not Split
precision rating:	Not Rated
internal clearance:	CN
finish/coating:	Uncoated
closure type:	Open
outer ring width:	45 mm
lubrication hole type:	Lubrication Groove & Hole
inner ring width:	45 mm
dynamic load capacity:	335000 N
fillet radius:	2.5 mm
static load capacity:	420000 N
series:	213
maximum rpm:	2700 rpm
manufacturer product page:	Click here