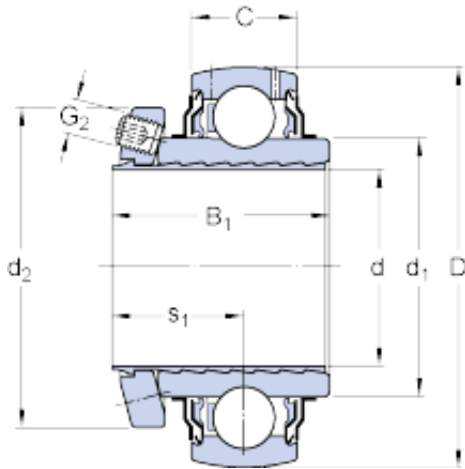




Wuxi Shenbing Bearing Company Limited



YSP 211 SB-2F Bearing 2D drawings and 3D CAD models

SKF YSP 211 SB-2F deep groove ball bearings

Bearing No. YSP 211 SB-2F

Size	100x55x49 mm
Bore Diameter	100 mm
Outer Diameter	55 mm
Width	49 mm
d	55 mm
D	100 mm
B ₁	49 mm
C	25 mm
d ₁	69.06 mm
d ₂	77.6 mm
s ₁	29 mm
Basic dynamic load rating - C	43.6 kN
Basic static load rating - C ₀	29 kN
Fatigue load limit - P _u	1.2 kN
Limiting speed	3600 r/min
Calculation factor - f ₀	14
Mass bearing	0.98 kg
Thread - G ₂	M6
Hexagonal key size for grub screw - H	3 mm
Category	Bearings
Inventory	0.0
Manufacturer Name	SKF
Minimum Buy Quantity	N/A
Weight / Kilogram	0



Wuxi Shenbing Bearing Company Limited

Product Group	M06110
B_1	49.2 mm
d_1	69.06 mm
d_2	77.6 mm
s_1	29.2 mm
Basic dynamic load rating C	43.6 kN
Basic static load rating C_0	29 kN
Fatigue load limit P_u	1.25 kN
Limiting speed ¹⁾	3600 r/min
Calculation factor f_0	14
Mass complete bearing	0.98 kg
Thread grub screw G_2	M6
Hexagonal key size for grub screw N	3.05 mm
Recommended tightening torque for grub screw	7.4 N · m